

**PowerSafe**<sup>®</sup>  
DDm

---

Conventional & Anti-Shock  
Stand Configurations



---

Installation, Operation  
& Maintenance Manual

---

**EnerSys**<sup>®</sup>

Power/Full Solutions

RESERVE  
POWER

## Contents

1	Safety Information	2
2	Battery Location and Accommodation	3
3	PowerSafe® DDm Batteries	3
4	Receiving, Unpacking and Inspection	3
5	Care of Material	3
6	Storage and Refresh Charge	3
7	Installation	4
8	Commissioning Charge	5
9	Operation	5
10	Maintenance	6
11	Preservation	6
12	Annexes	7
13	Battery Record Sheet	10
14	Notes	11

This manual provides instructions for the installation, commissioning, operation and maintenance of EnerSys® PowerSafe® DDm batteries that comply with EN 60896-21 & 22.

Batteries are often the last lines of defence in providing electrical energy after failure of the mains supply. This manual provides information for optimising performance and service life and should be read in










conjunction with EN 50272 together with the appropriate Health & Safety Data Sheet.

This manual should be read immediately upon receipt of the battery. Warranties are only valid if the product has been installed, commissioned, operated and maintained in accordance with these instructions.

## 1. Safety Information

Get to know the product you are handling. Lead acid batteries are safe if you follow the precautions contained in this manual.

Take note of the meaning of the following symbols and information.

	No smoking, no naked flames, no sparks		Shield eyes		Read instructions
	Electrical hazard		Danger		Re-cycle scrap batteries. Contains lead
	Electrolyte is corrosive		Clean all acid splash in eyes or on skin with plenty of clean water. Then seek medical help. Acid on clothing is to be washed with water.		Risk of explosion or fire. Avoid any short circuit. Do not place metallic tools or items on top of the battery.

### Handling

PowerSafe® DDm batteries are supplied in a charged condition and must be unpacked carefully to avoid very high short-circuit currents between terminals of opposite polarity. Use suitable lifting devices where appropriate.

### Keep flames away

In case of accidental overcharge a flammable gas can leak off the safety vent.

Discharge any possible static electricity from clothes by touching an earth connected part.

### Tools

Use tools with insulated handles.

Do not place or drop metal objects on the battery.

Remove rings, wristwatch and articles of clothing with metal parts that may come into contact with the battery terminals.

Particular care must be taken during the handling and installation of lead-acid batteries. Personnel undertaking this work must be provided with appropriate equipment to ensure their safety and in addition to exercising routine care and caution they should be additionally made aware of the following:

- Acid - these batteries contain dilute sulphuric acid which is poisonous and corrosive. It can cause burns on contact with skin and eyes. If acid is spilt on skin or clothing wash with plenty of clean water. If acid gets into eyes wash well with plenty of clean water and get immediate medical attention.
- Protective clothing - Always wear protective clothing. Eye protection (goggles or visor) should be worn if your job brings you into contact with acid.
- Gases - Batteries can give off explosive gasses. Keep sparks, flames and lighted cigarettes away from the battery. Isolate the battery circuit before connecting or disconnecting the battery as otherwise a spark can cause an explosion.

Ensure connections are all tight before switching on and use insulated tools only. Areas where batteries are kept or charged must be adequately ventilated.

- Electricity - Use insulated tools only to make connections to a battery. Check the external circuit to ensure it is safe before making a connection to the battery. Before working on a battery, always remove personal metal effects, such as rings, watches, bracelets, necklaces, etc.
- Guidance documents - It is recommended that copies of the following documents are obtained and read in conjunction with this manual:
  - Health & Safety Information for Lead-Acid Batteries - EnerSys Ltd.
  - EN 50272-2 and IEC 62485-2 Safety Requirements for Secondary Batteries and Battery Installations

## 2. Battery Location and Accommodation

### 2.1 Location

Batteries should be located in a secure area with access restricted to experienced, suitably qualified personnel.

### 2.2 Accommodation

Conventional, non-seismic steel stands are supplied as standard with PowerSafe® DDM batteries. Optionally, anti-shock stands are available. Seismic UBC Zone 4 stands are also available and covered in a separate manual.

Where appropriate, European/National or Local Regulations must take precedence. However, in the absence of any regulations the following precautions are recommended.

PowerSafe DDM batteries should be located in a secure, restricted area. It is normal practice to electrically isolate the stand from the ground. This provides a degree of protection during installation and maintenance. This protection is only valid provided the system connected to the battery is also isolated from the ground. In applications where the equipment connected to the battery is not isolated from the ground, e.g. un-isolated battery chargers, then either:

- the battery stand is connected to the ground.
- a secondary safety barrier is built around the stand to prevent accidental contact, and facilities should exist for earth connections to be made remotely before routine surveillance and maintenance takes place.

Similar hazardous conditions on the battery stand can be generated by environments of high microwave intensity and the same safety precautions should prevail. Satisfactory ground connection to the steel stands can be made via the bolts retaining the diagonal tie bars to the main stand frames. Seismic stands should be earthed via the base plate bolts or as directed in the stand assembly instructions.

### 2.3 Safety

Warning notices complying with current Health & Safety legislation should indicate the dangers of unauthorised access. Within the secure restricted areas, safety instructions should also be provided to advise qualified personnel of the safe methods to enter the system. The use of earth leakage detection equipment is recommended where the stand is permanently earthed.

## 3. PowerSafe® DDM Batteries

EnerSys® PowerSafe DDM range combines the benefits of large capacity, long life cells with a choice of compact racking systems to provide totally reliable, cost-effective solutions for large installations. Detailed information regarding the design and specification of PowerSafe DDM batteries can be found in the appropriate publications (visit [www.enersys-emea.com](http://www.enersys-emea.com) or contact your local office for details).

PowerSafe DDM Valve Regulated Lead Acid (VRLA) batteries use proven gas recombination technology. They are supplied in a filled and charged condition and are electrically live at all times so must be treated with care. Even if the case or lid suffers damage, the product remains capable of supplying high short circuit currents.

PowerSafe DDM batteries are supplied in dedicated steel containers that maintain the uniform compression throughout product life necessary to ensure reliable performance. They are designed to be installed in the horizontal position that affords simplified, front access installation and maintenance even in the most difficult locations.

## 4. Receiving, Unpacking and Inspection

All cells should be handled with care; damage to the container or lid can occur if allowed to fall. Under no circumstances should they be lifted by the terminals.

All items should be carefully checked against the accompanying advice notes to determine if any are missing. They should be inspected for damage and the terminal voltage of each cell measured to ensure that none are below the equivalent of 2.10 Volts per cell. If any are below this value, or if any items are missing, damaged or broken the Company should be notified at once.

Transit insulation covers are provided to protect the cell terminals. These are factory fitted to all products of the range and should only be removed when access to the terminals is required.

It is recommended that all cells and accessories are unpacked before commencing installation; only unpack and install 'cell by cell' in areas of limited access.

## 5. Care of Material

Carefully clean off all dust and packing material deposits from each of the cells and accessories. Wipe down the cells as required with a clean, cotton cloth dampened with clean water. If necessary, a small amount of mild detergent may be added to the water to remove any greasy film.

Note that scouring powders and solvents should not be used for cleaning the lids as scratching or damage to the surface of the plastic could occur.

## 6. Storage and Refresh Charge

It is recommended that batteries are unpacked, installed and commissioned as soon as possible after receipt. However, if this is impractical, all the parts should be stored in a clean and dry environment with temperature as moderate as the climate will allow.

PowerSafe DDM batteries are supplied in a filled and charged condition so storage time is typically 6 months at 20°C. Storage at higher temperatures will result in accelerated rates of self-discharge that could possibly result in a permanent deterioration to battery performance and life. Consequently, it is recommended that cells be given a refresh charge when the open circuit voltage falls below 2.10Vpc.

Providing the battery is to be installed and commissioned before a refresh charge becomes due, no further action is required prior to installation. However, if the battery is to be stored for prolonged periods, it must be given a refresh charge as follows:

- connect in series (i.e. in continuous sequence positive, negative, positive, negative) the correct number of cells to correspond with the output voltage of the charging source which should be of the constant voltage type. The recommended applied charge voltage is  $2.28 \pm 0.01$ Vpc (at 20°C) or temperature compensated equivalent (see section 9.2.1).
- connect charger positive output to battery positive terminal and charger negative output to battery negative terminal. Switch on and leave connected for a continuous period of 48 hours when the charge can be discontinued.

PowerSafe DDM batteries should only be charged in the horizontal position. Charging in the vertical position could invalidate the warranty.

## 7. Installation

### 7.1 Conventional, non-seismic stands (supplied as standard)

A comprehensive range of free-standing, conventional steel stands has been specifically designed to provide a compact and effective arrangement for PowerSafe® DDm battery modules whilst retaining the requirements of electrical and mechanical safety, ease of installation and access.

Each stand assembly (see fig. 12.1), which is individually tailored to the battery type, is built from four basic components:

- frame, fabricated from square steel tube (2 or more frames)
- runner, fabricated from square steel tube (total 3 per tier)
- flat steel tie-bar
- terminal rail, fabricated from Unistrut framing channel

These component parts are factory finished with a high quality electro-statically deposited epoxy powder coating which, in addition to its high dielectric resistance, is acid and saline resistant, fireproof, scratch and impact resistant.

The base of each frame is fitted with an adjustable insulating foot assembly to allow precise levelling on uneven floors. Each stand kit includes all the necessary fastener sets, which are dimensionally matched to the predrilled holes in frames, runners and tie-bars, to ensure a rigid assembly.

Before commencing to erect the stand, smear all screw threads with petroleum jelly. The adjustable insulating feet should then be screwed fully into the threaded plate at the base of the frame leg.

Loosely fix one runner to the top tier of the end (and intermediate) frames and similarly fix one to the bottom tier. Fix tie(s) in position at the back of the stand. Continue by fixing all other runners and the top mounted terminal rail loosely in position.

Complete assembly of stand by tightening all screws, ensuring that the frames are at right angles to the runners. Unscrew the insulating feet in the base of the frames if necessary, to level the stand. Ensure that the lock-nut is re-tightened after adjustment.

Take the cell modules and wipe down clean and dry.

Ensure that modules are correctly configured, i.e. position of terminals, for the position it occupies in the battery and then slide into position on the stand, starting on the bottom tier and working upwards to the highest level.

**NB:** Take care to observe the correct unit-mounting centres along the length of the stand and also correct alignment of adjacent units one above the other.

In this respect use inter-row and inter-cell connectors to achieve longitudinal and vertical alignment.

When all modules have been placed on the stand, and in the case of anti-shock stands when the module clamping plates have been fitted, connect them together by means of the connecting straps and fastener set, in sequence, pillar, connecting strap, plain washer, spring washer and setscrew using insulated tools.

Fastening torque is 10Nm (88 in-lbs).

**NB:** The battery may not completely fill the stand.

### 7.2 Anti-shock stands

These are similar in design to those described in paragraph 7.1. with two exceptions:

- the frames are fitted with flat base plates instead of adjustable feet. This allows the stand to be securely fixed to the floor using suitable M12 fixings.
- the front runner on each tier is fitted with captive nuts along the front face of the runner to allow clamping plates to be fitted over the flanges and edge of the cell lid of adjacent modules (see fig. 12.2).

**NB:** The clamping plates must be fitted before cell connection commences.

### 7.3 Seismic UBC Zone 4 stands

These stands are available as an option. Should you have ordered these, please refer to the specific installation manual.

### 7.4 Connector details (see fig. 12.3 & 12.4)

For Telecom applications, please refer to figure 12.3, for all other applications refer to figure 12.4.

Insulated solid copper connectors, one per pole, are used for all inter-cell connections.

Heavy-duty flexible cables, one per pole, are used for inter-stand connections when necessary.

Insulated tools must be used when working on a battery. If pliers, spanners, etc are not insulated, they can cause the danger of a short circuit.

Apply an even coating of lanolised petroleum jelly to the pillars, bolts, washers and connectors before and after assembly. Note particularly that the positive terminal of one module is connected to the negative terminal of the next, throughout the battery, leaving the positive and negative terminals of the battery free for connection to the optional terminal plates or the customer's take-off cables.

Once the connectors are fitted and the bolts tightened to their correct torque settings, the exposed ends of the connectors and intermediate pillars on inter-row connections, should be insulated using the clip on shrouds supplied. Connector end caps should be cut back to the trim line with a sharp knife, for use on 10 mm thick inter-row connectors only.

### 7.5 Terminal plates

Large copper terminal plates are available on request to allow the connection of large or multiple cables onto the battery to avoid strain on the cell pillars. These are fitted onto the Unistrut terminal rail at the top of the battery stand (see fig. 12.1) using the stand-off insulators provided. Each terminal plate (positive and negative) is then insulated with the colour coded flexible PVC shrouds supplied. The shroud can easily be trimmed to allow passage of the main cables to the system charger or isolator.

### 7.6 Cell numbering

Self-adhesive number labels are supplied, one for each cell/module. It is important that the surface is clean and dry before fitting the label which is done by removing the backing paper, placing the label in a suitable position on the front face of the cell and applying even pressure to the whole area of the label.

Do not obstruct the vent hole with the cell number label.

Unless a local rule exists, it is usual to number the cells beginning with No.1 at the positive end of the battery.

Continue numbering consecutively by following exactly the electrical connections right through to the negative end of the battery.

### 7.7 Front covers

Please note, PowerSafe® DDm cells accommodated on either conventional or anti-shock stands have connectors that are individually insulated so front covers are only supplied when specifically requested. However, insulating front covers are supplied as standard when PowerSafe DDm cell are accommodated on seismic UBC Zone 4 stands.

Front covers are designed to be fitted on completion of the connecting up sequence of the battery.

Before fitting them, first ensure that:

- the modules are connected in the correct sequence. Charging a cell or battery in the wrong direction will cause permanent damage.

- the terminals, connecting straps and fasteners are adequately coated with lanolised petroleum jelly.

Front covers have slots located in each corner. Use the screws supplied to fasten the covers onto the captive nuts located in the front face of the stand frames.

## 8. Commissioning Charge

It is recommended that chargers are of the constant voltage type. The output characteristic should give an applied charge voltage of  $2.28 \pm 0.01V_{pc}$  (at 20°C) or temperature compensated equivalent (see section 9.2.1) with a minimum output current expressed numerically in amperes as 10% of the 10 hour capacity rating of the battery.

The commissioning charge should be carried out, without any other load being connected to the charger, as follows:

- connect charger positive output to battery positive terminal, charger negative output to battery negative terminal.
- switch on and charge continuously until the current flow into the battery has fallen to a minimum and stabilised to remain relatively constant over 3 consecutive hourly readings.

If it is not possible to determine the current, the battery may be assumed to be fully charged after a minimum continuous charge period of 6 days.

The battery temperature should be monitored during the commissioning charge. If it exceeds 40°C the charge must be terminated immediately; it should not be continued until the temperature has fallen to 32°C.

**NB:** *If the battery is to be subjected to a site acceptance test before going into service, this must be carried out in the period between completion of the commissioning charge and the introduction of operating load on the system.*

On completion of the commissioning charge (and, if required, site acceptance test and subsequent recharge) the load circuit can be introduced on to the system and the battery maintained in the normal float charge mode.

## 9. Operation

### 9.1 Chargers

Constant voltage chargers only are recommended for normal continuous operation.

### 9.2 Charging

#### 9.2.1 Applied voltage level for normal float charge

For all normal operating conditions, and particularly where the battery is maintained fully charged continuously in parallel with the charger and load circuit, it is recommended that a voltage level equivalent to  $2.28 \pm 0.01V_{pc}$  (at 20°C) is applied to the battery terminals.

Where the mean operating temperature is not 20°C, the applied voltage level should be adjusted as follows:

- $2.28V_{pc} + 0.003V$  per cell per °C below 20°C
- $2.28V_{pc} - 0.003V$  per cell per °C above 20°C

To prevent the possibility of undercharge, it is important that the applied charge voltage does not drop below the minimum recommended value for the operating temperature.

Similarly, to prevent the possibility of overcharge, any excursion of 'battery voltage' above the maximum recommended value for more than one minute should either be alarmed or cause immediate termination of the charge (except under controlled elevated voltage conditions described in section 9.2.2).

This level of applied voltage is recommended for both the Refresher Charge (section 6) and Commissioning Charge (section 8) procedures or to recharge the battery following a discharge.

Under these conditions, it will typically require a period of continuous charge in excess of 72 hours to fully recharge a battery which has previously been discharged to the extent of its 10 hour capacity. The battery will be fully recharged when the charge current has reduced to a very low value and has remained reasonably constant for 3 consecutive hourly readings. At  $2.28 \pm 0.01V_{pc}$  (at 20°C), this value of end of charge current will typically be in the region of 0.5mA per Ah of the rated 10 hour capacity.

#### 9.2.2 Applied voltage level for faster recharge

Recharge time can be reduced by increasing the level of applied charge voltage.

If the time available for recharge is constrained, then the battery may be recharged by applying a maximum constant voltage level of 2.35 Volts per cell. However, using this charging regime:

- will result in a reduced service life if used more than once per month.
- requires the charge current to be limited to a value expressed numerically in Amperes to 10% of the 10 hour capacity rating of the battery (e.g. 85 Amps for battery of DDM 85-21).
- requires the charge to be terminated when the charge current stabilises; typically this will be in the region of 3mA per Ah of the rated 10 hour capacity rating of the battery.

If necessary, the Refresher Charge procedure (section 6) may be carried out using this elevated voltage level; however, the charge must be terminated after a maximum continuous charge period of 8 hours. Similarly, the Commissioning Charge procedure (section 8) may be carried out using 2.35 Volts per cell for a maximum continuous charge period of 12 hours.

However, neither of these 2 alternative procedures should be attempted without first referring to EnerSys® for precise instructions.

#### 9.2.3 Equalising charge

Under normal conditions an equalising charge is not required. However, in some circumstances, a maximum continuous charge period of 12 hours using 2.35 Volts per cell or an extended period of carefully controlled low value constant current charge may prove beneficial.

EnerSys must be contacted for advice if an equalising charge is to be undertaken.

#### 9.2.4 Charge current

For optimum charge efficiency, the recommended charge current to the battery should be a value expressed numerically in Amperes equivalent to 10% of the 10 hour capacity rating of the battery.

However, PowerSafe® DDM batteries will accept higher values of charge current without damage providing that the applied charge voltage does not exceed the normal float charge voltage level of  $2.28 \pm 0.01V_{pc}$  (at 20°C) or temperature compensated equivalent (see section 9.2.1).

It is important that the 10% C<sub>10</sub> Amperes current becomes a maximum value when applying any value of elevated voltage between 2.29 Volts per cell and 2.35 Volts per cell.

### 9.2.5 Recharge interval

In order to prevent permanent damage to the battery, it is recommended that recharge should be commenced immediately after any discharge.

## 9.3 General

### 9.3.1 Discharge voltage

The minimum average voltage per cell should not fall below 1.60Vpc for a period of greater than 2 minutes on batteries designed to give up to one hour standby period and for greater than 5 minutes for standby periods in excess of one hour.

It is recommended that a low voltage disconnect feature be included in the system to ensure compliance with the above recommendation.

**NB:** A momentary dip in voltage below 1.60Vpc such as would occur in switchgear closing operation or engine starting applications is not considered detrimental.

### 9.3.2 Short circuit faults

Any short circuit fault should be cleared from the battery within 10 seconds.

### 9.3.3 Number of cells connected in series

The number of cells in series (N) will not affect the selected float voltage per cell. Therefore, battery charging float voltage = N x Cell Float Voltage. No special circuit arrangements are required.

### 9.3.4 Number of cells or cell strings connected in parallel

Under constant voltage charge conditions no special arrangements have to be made for batteries in parallel.

However, where the parallel connection is made at the charger or distribution board, the resistance between the battery terminal and the common charge supply point must be within  $\pm 5\%$  of the mean value to avoid out of step conditions developing.

## 10. Maintenance

Routine maintenance of a battery is essential for ensuring satisfactory performance. Good records will identify when corrective action may be necessary to ensure the integrity of emergency supply.

In practice, the content and frequency of a battery maintenance schedule is specified by the user. It should consider site criticality, location and available resource, together with the prevailing operating conditions.

A maintenance schedule typically includes:

#### • Initial readings

Upon completion of the commissioning charge and immediately after reverting to normal operation ensure that the battery charging voltage is correct. Measure and record the ambient temperature in the vicinity of the battery and all cell voltages.

Following a commissioning charge and after 6 months continuous charge at the recommended float voltage, individual cell voltages will stabilise within  $\pm 5\%$  of the mean applied voltage.

However, immediately following commissioning and for the initial 6 months of continuous float charge, individual cell voltage values outside the above tolerance may be observed without adverse effect. There is no relationship between float voltage and discharge capacity; cells are perfectly capable of giving their discharge capacity even when outside the  $\pm 5\%$

range. After 6 months service, should any individual cell show a continuing reduction or increase in voltage outside the above limits over 3 successive monthly periods, EnerSys® should be contacted for advice.

#### • Monthly readings

Ensure that the battery charging voltage is correct. Measure and record the ambient temperature in the vicinity of the battery. Visually inspect the battery; ensure it is kept clean and free from corrosion. If necessary, clean with a damp cotton cloth and mild detergent, do not use solvents or scouring powders.

#### • Three monthly readings

In addition to the monthly readings, measure and record the voltage of all cells.

#### • Six monthly readings

In addition to the three monthly readings, measure and record the internal ohmic value of all cells. Results should be compared against previous readings such that a trend is generated throughout a battery life cycle. EnerSys should be contacted for advice when values change by 35% of the initial value.

#### • Annual readings

In addition to the six monthly readings, check all connections for correct torque tightness and carry out a capacity discharge or duty specification test.

#### • General

Record the details of any emergency or accidental discharge and all corrective action that is undertaken.

It is recommended that records are kept in a manner such that comparison with previous reports can be readily made.

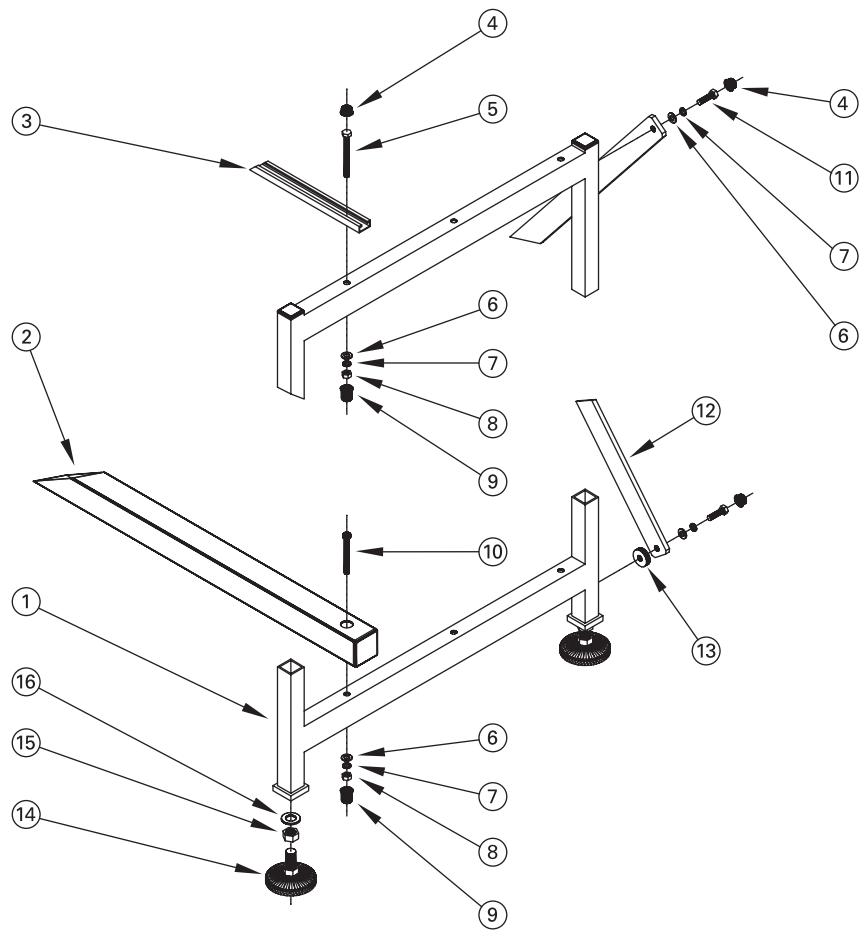
## 11. Preservation

Keep the battery and surroundings clean and dry and ensure bolted connections are tight. Keep connectors, pillars and bolted connection covered with lanolised petroleum jelly.

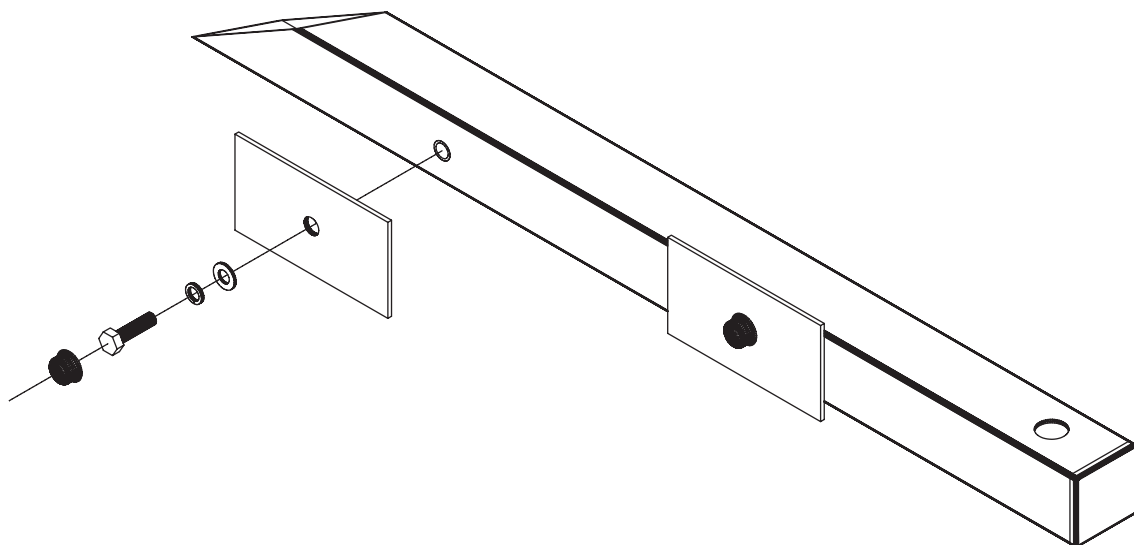
## 12. Annexes

### 12.1 Stand assembly

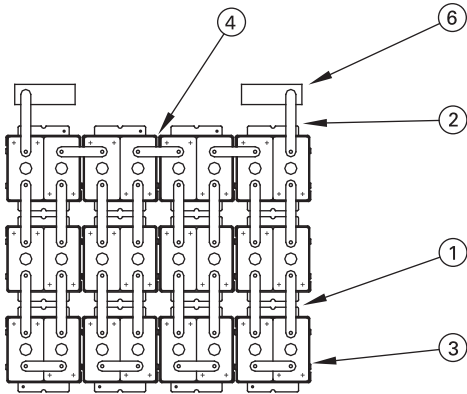
- ① Frame
- ② Runner
- ③ Terminal rail
- ④ Insulating nut cap - short
- ⑤ M8 x 80 HX HD bolt
- ⑥ M8 plain washer
- ⑦ M8 spring washer
- ⑧ M8 nut
- ⑨ Insulating nut cap - long
- ⑩ M8 x 70 socket HD bolt
- ⑪ M8 x 30 HX HD screw
- ⑫ Tie-bar
- ⑬ Spacer washer
- ⑭ Foot assembly
- ⑮ M16 lock nut
- ⑯ M16 plain washer



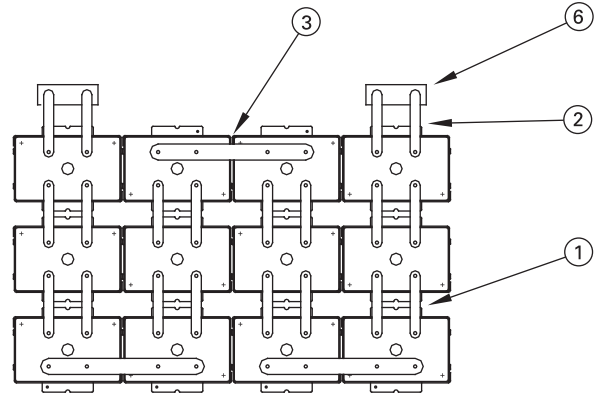
### 12.2 Anti-shock stand runner



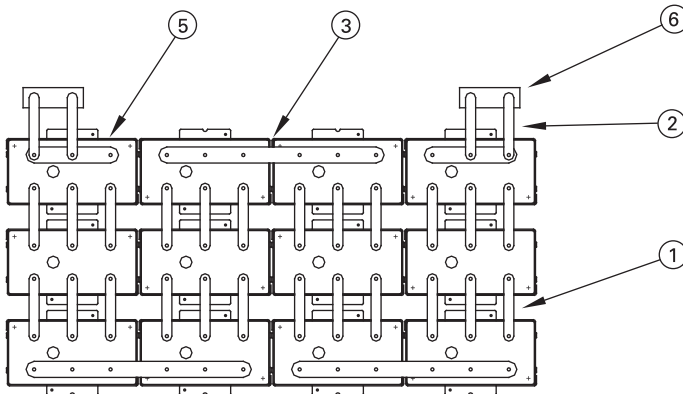
12.3 Connection diagrams - Telecom applications



Layout A



Layout B



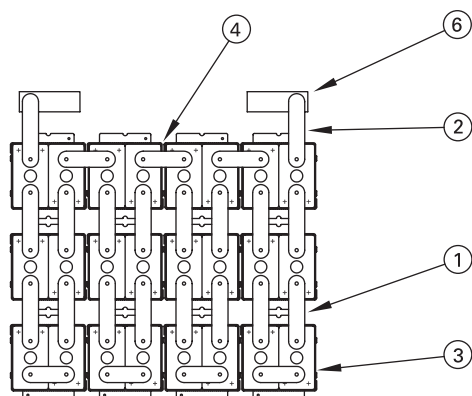
Layout C

Battery Type	Layout	CONNECTOR DETAILS					
		Inter-cell ①	Terminal ②	Inter-row ③	Inter-module ④	Equalizing ⑤	Terminal Plate* ⑥
2DDM50-09	A	SUB5872	SUB5876	SUB5875	SUB5876	-	SUB5751
2DDM50-13	A	SUB5872	SUB5876	SUB5877	SUB5878	-	SUB5751
DDM50-17	B	SUB5872	SUB5876	SUB5888	-	-	SUB5751
2DDM85-13	A	SUB5872	SUB5876	SUB5877	SUB5878	-	SUB5751
2DDM85-15	A	SUB5872	SUB5876	SUB5879	SUB5880	-	SUB5751
DDM85-21	B	SUB5872	SUB5876	SUB5889	-	-	SUB5751
DDM85-25	B	SUB5872	SUB5876	SUB5890	-	-	SUB5751
DDM85-27	B	SUB5872	SUB5876	SUB5891	-	-	SUB5751
DDM85-33	C	SUB5872	SUB5876	SUB5887	-	SUB5886	SUB5751
DDM100-21	B	SUB5872	SUB5876	SUB5889	-	-	SUB5751
DDM100-25	B	SUB5872	SUB5876	SUB5890	-	-	SUB5751
DDM100-27	B	SUB5872	SUB5876	SUB5891	-	-	SUB5751
DDM100-33	C	SUB5872	SUB5876	SUB5887	-	SUB5886	SUB5751
DDM125-25	B	SUB5873	SUB5874	SUB5892	-	-	SUB5751
DDM125-27	B	SUB5873	SUB5874	SUB5893	-	-	SUB5751
DDM125-33	C	SUB5873	SUB5874	SUB5887	-	SUB5886	SUB5751

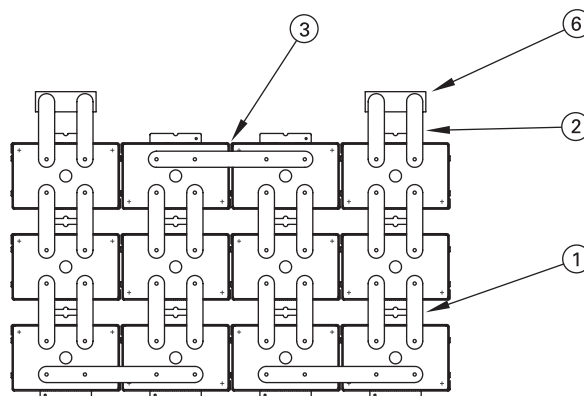
\*Available upon request



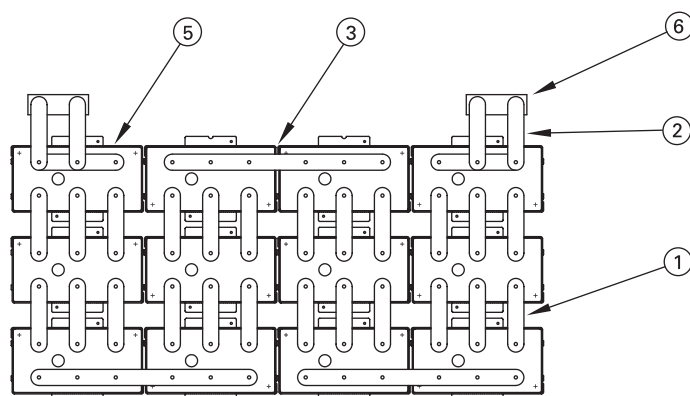
12.4 Connection diagrams - All applications except Telecom



Layout A



Layout B



Layout C

Battery Type	Layout	CONNECTOR DETAILS					
		Inter-cell ①	Terminal ②	Inter-row ③	Inter-module ④	Equalizing ⑤	Terminal Plate* ⑥
2DDM50-09	A	SUB5732	SUB5738	SUB5737	SUB5738	-	SUB5751
2DDM50-13	A	SUB5732	SUB5738	SUB5739	SUB5740	-	SUB5751
DDM50-17	B	SUB5732	SUB5738	SUB5745	-	-	SUB5751
2DDM85-13	A	SUB5732	SUB5738	SUB5739	SUB5740	-	SUB5751
2DDM85-15	A	SUB5732	SUB5738	SUB5741	SUB5742	-	SUB5751
DDM85-21	B	SUB5732	SUB5738	SUB5746	-	-	SUB5751
DDM85-25	B	SUB5732	SUB5738	SUB5747	-	-	SUB5751
DDM85-27	B	SUB5732	SUB5738	SUB5748	-	-	SUB5751
DDM85-33	C	SUB5732	SUB5738	SUB5744	-	SUB5743	SUB5751
DDM100-21	B	SUB5732	SUB5738	SUB5746	-	-	SUB5751
DDM100-25	B	SUB5732	SUB5738	SUB5747	-	-	SUB5751
DDM100-27	B	SUB5732	SUB5738	SUB5748	-	-	SUB5751
DDM100-33	C	SUB5732	SUB5738	SUB5744	-	SUB5743	SUB5751
DDM125-25	B	SUB5733	SUB5901	SUB5749	-	-	SUB5751
DDM125-27	B	SUB5733	SUB5901	SUB5750	-	-	SUB5751
DDM125-33	C	SUB5733	SUB5901	SUB5744	-	SUB5743	SUB5751

\*Available upon request

### 13. Battery Record Sheet

Works Order Number :	Customer Reference :
Battery Type :	Number of Cells :
Installed At :	Date Installed :

Battery Float Voltage (V) :	Ambient Temperature (°C) :
Battery Charging Current (A) :	Average Vpc :

	Serial No.	Volts per cell		Serial No.	Volts per cell		Serial No.	Volts per cell		Serial No.	Volts per cell		Serial No.	Volts per cell		Serial No.	Volts per cell
1			41			81			121			161			201		
2			42			82			122			162			202		
3			43			83			123			163			203		
4			44			84			124			164			204		
5			45			85			125			165			205		
6			46			86			126			166			206		
7			47			87			127			167			207		
8			48			88			128			168			208		
9			49			89			129			169			209		
10			50			90			130			170			210		
11			51			91			131			171			211		
12			52			92			132			172			212		
13			53			93			133			173			213		
14			54			94			134			174			214		
15			55			95			135			175			215		
16			56			96			136			176			216		
17			57			97			137			177			217		
18			58			98			138			178			218		
19			59			99			139			179			219		
20			60			100			140			180			220		
21			61			101			141			181			221		
22			62			102			142			182			222		
23			63			103			143			183			223		
24			64			104			144			184			224		
25			65			105			145			185			225		
26			66			106			146			186			226		
27			67			107			147			187			227		
28			68			108			148			188			228		
29			69			109			149			189			229		
30			70			110			150			190			230		
31			71			111			151			191			231		
32			72			112			152			192			232		
33			73			113			153			193			233		
34			74			114			154			194			234		
35			75			115			155			195			235		
36			76			116			156			196			236		
37			77			117			157			197			237		
38			78			118			158			198			238		
39			79			119			159			199			239		
40			80			120			160			200			240		

Comments :

Engineer's Name :	Date of Service :
-------------------	-------------------

**Notes**



[www.enersys-emea.com](http://www.enersys-emea.com)

**EnerSys**  
**World Headquarters**  
2366 Bernville Road  
Reading, PA 19605  
USA  
Tel: +1 610 208 1991  
+1 800 538 3627  
Fax: +1 610 372 8613

**EnerSys EMEA**  
EH Europe GmbH  
Löwenstrasse 32  
8001 Zürich  
Switzerland

**EnerSys Asia**  
152 Beach Road  
Gateway East Building  
Level 11  
189721 Singapore  
Tel: +65 6508 1780

Contact:

© 2014 EnerSys®. All rights reserved.  
Trademarks and logos are the property of  
EnerSys® and its affiliates unless otherwise noted.